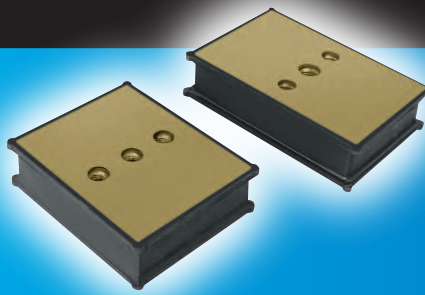


Squared Vibration Proof Rubber

R series

Versatility and low cost.



Benefit

- **Easy construction** Female screw makes it an easy construction.
- **Compatible with heavy load** 5 types are available: 3t - 5t

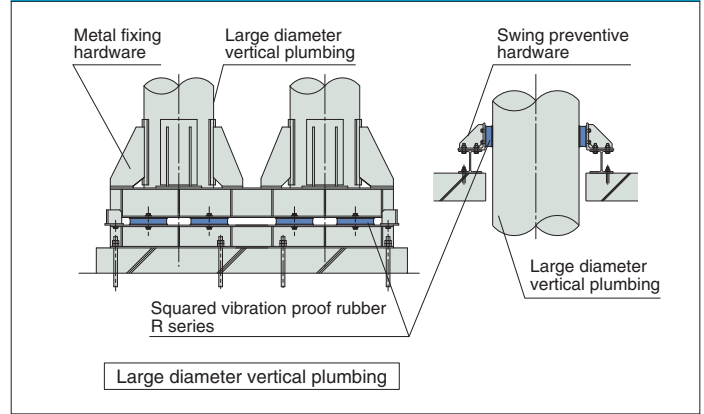
Feature

- Fixed position by an internal thread structure to reduce unnecessary gap during installation, screwed into the installation.
3 main parts. Compatible with steel materials such as H-steel and channel steel.

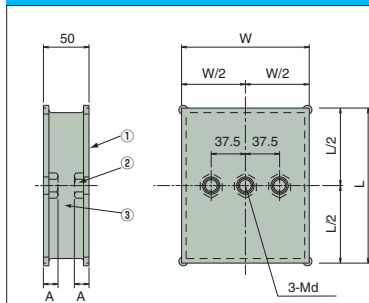
Applications

Used as vibration supporting device with followings: load bearing with large diameter vertical plumbing or swing prevention by earthquake/large facility equipment/parking garage/machine tool/steel building frame

Typical applications



Structure and dimension



Type	Dimension (mm)				Static spring constant N/mm (kgf/mm)	Allowable load N (kgf)	Mass kg
	W	L	Md	A			
R1414	140	140	M12	13	4864 (496)	29420 (3000)	2.7
R1417	140	170	M16	16	6590 (672)	39227 (4000)	3.3
R1421	140	210	M16	16	8875 (905)	49033 (5000)	4.0
R1625	160	250	M16	16	12925 (1318)	68647 (7000)	4.4
R2028	200	280	M16	16	20388 (2079)	98067 (10000)	7.6

※Dynamic spring constant of vibration control rubber is 1.3 times higher than that of a static one.

Number	Name	Material
①	Metal fittings	SS400
②	Attachment nut	SS400
③	Rubber itself	Synthetic rubber

- Please note that attachment bolt needs to be consider in locking the nut
- The metal component is covered by electrolytic zinc-coated

Handling instructions

- The product has to be protected from any damage.
- Please note that the product must be avoided adhesion such as strong acid, strong alkali, organic solvent, fat and oil.
- The device needs to be attached as equalized loading toward the compression direction.
- Please make sure to use the device within a given load range.
- The product must be protected from spark like welding.

This brochure may be revised without prior notice. We apologize in advance for any inconvenience this may cause.

Agent

TOZEN Corporation
8-4, Asahi, Yoshikawa
Saitama 342-0008 Japan